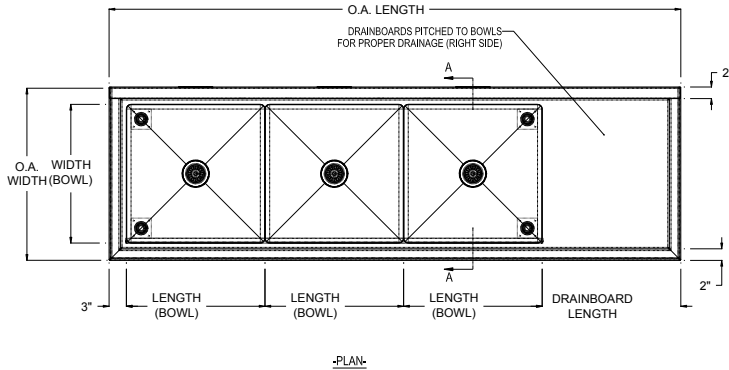




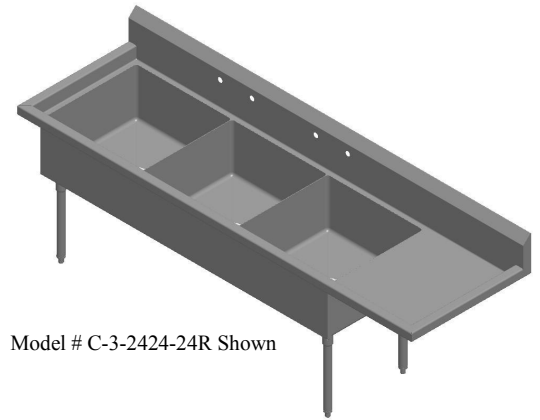
## THREE COMPARTMENT SINKS W/ ONE DRAINBOARD

PROJECT#: \_\_\_\_\_

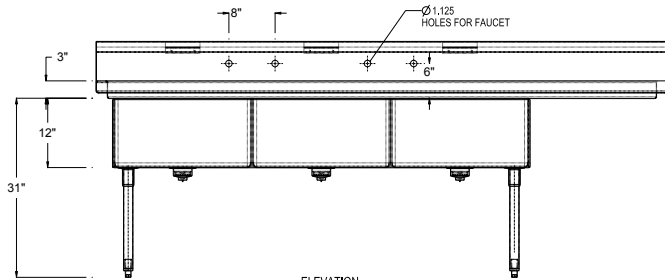
ITEM# \_\_\_\_\_



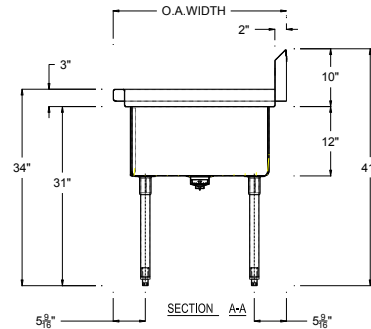
-PLAN-



Model # C-3-2424-24R Shown



-ELEVATION-



THREE COMPARTMENT SINKS W/ ONE DRAINBOARD							
MODEL#	QTY	PRODUCT DIMENSIONS (INCHES)					
		LENGTH (BOWL)	WIDTH (BOWL)	DRAINBOARD LENGTH	O.A. LENGTH	O.A. WIDTH	OVERALL HEIGHT
C-3-1618-18R		16"	18"	18" ON RIGHT	69"	24"	41"
C-3-1618-18L		16"	18"	18" ON LEFT	69"	24"	41"
C-3-1618-24R		16"	18"	24" ON RIGHT	75"	24"	41"
C-3-1618-24L		16"	18"	24" ON LEFT	75"	24"	41"
C-3-1624-18R		16"	24"	18" ON RIGHT	75"	24"	41"
C-3-1624-18L		16"	24"	18" ON LEFT	75"	24"	41"
C-3-1824-18R		18"	24"	18" ON RIGHT	75"	30"	41"
C-3-1824-18L		18"	24"	18" ON LEFT	75"	30"	41"
C-3-1824-24R		18"	24"	24" ON RIGHT	81"	30"	41"
C-3-1824-24L		18"	24"	24" ON LEFT	81"	30"	41"
C-3-2424-18R		24"	24"	18" ON RIGHT	93"	30"	41"
C-3-2424-18L		24"	24"	18" ON LEFT	93"	30"	41"
C-3-2424-24R		24"	24"	24" ON RIGHT	99"	30"	41"
C-3-2424-24L		24"	24"	24" ON LEFT	99"	30"	41"
C-3-2030-20R		20"	30"	20" ON RIGHT	83"	36"	41"
C-3-2030-20L		20"	30"	20" ON LEFT	83"	36"	41"
C-3-2030-24R		20"	30"	24" ON RIGHT	87"	36"	41"
C-3-2030-24L		20"	30"	24" ON LEFT	87"	36"	41"

### SINK SPECIFICATIONS:

**TOP:** 16 GA. 300 Series Stainless Steel

**SINK BOWLS:** 16 GA. 300 Series Stainless Steel

**LEGS:** 1 5/8" Diameter Stainless Steel Tubing

### CONSTRUCTION:

- ◆ Fully welded, Seamless, Polished to #4 Finish
- ◆ Euro Edge
- ◆ S/S Adjustable Bullet Feet
- ◆ Crumb Cup Drain 1 1/2" IPS
- ◆ 8" On Center Faucet Holes
- ◆ Ships with (3) Wall Mount "Z" Clip
- ◆ (2) Sets of Faucet Holes on Bowls Greater Than 18" Long
- ◆ Integral 10" Tall Backsplash